

SG

EL-BL-ND
PROSTHETIC
SPECIFICATIONS
GUIDE
catalogue

Contents

Introduction

Fixture Diagram	4
-----------------------	---

Implant Systems

BL Implant

Bone Level Implant

Fixture Dimensions	6
--------------------------	---

EL System

Esthetic Line Implants


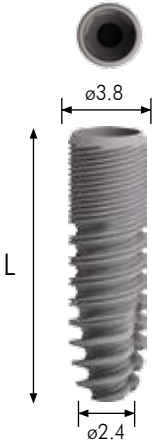







System Flowchart	8
Fixture Dimensions	13
Healing Abutments	14
PEEK Temporary Abutments	16
Titanium Final Abutments	17
Zirconium Final Abutments	19
Overdenture - O-ball Retained Restorations	20
Impression Transfer	21
Screw Retained Restorations	23
Bar Retained Restorations	25
Overdenture Anchor Retained System	27
Surgical Instruments	29

ND System

Narrow Diameter 2 Piece Implants

System Flowchart	33
Fixture Dimensions	35
Healing Abutments	36
Restorative Products/Titanium Abutments	37
Restorative Products/Impression Transfers	38
Overdenture - Retained Restorations	40
Surgical Instruments	42

Fixture Diagram

BL System	EL System	EL Short Implants
 <p data-bbox="300 943 459 969">L: 9/11/13/15</p>	 <p data-bbox="703 943 863 969">L: 9/11/13/15</p>	 <p data-bbox="1161 943 1198 969">L: 7</p>
 <p data-bbox="300 1480 459 1507">L: 9/11/13/15</p>	 <p data-bbox="703 1480 863 1507">L: 9/11/13/15</p>	 <p data-bbox="1161 1480 1198 1507">L: 7</p>
 <p data-bbox="300 2078 459 2105">L: 9/11/13/15</p>	 <p data-bbox="703 2078 863 2105">L: 9/11/13/15</p>	<div data-bbox="991 1518 1369 1592" style="background-color: green; color: white; padding: 5px; text-align: center;"> ND System </div>  <p data-bbox="1123 2078 1246 2105">L: 9/11/13</p>

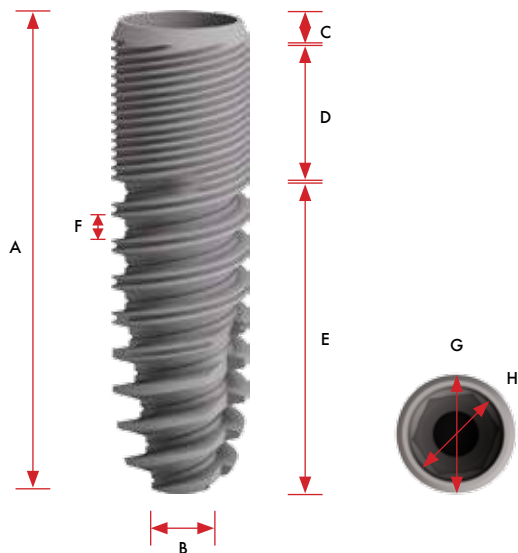
BL

BONE LEVEL
implant

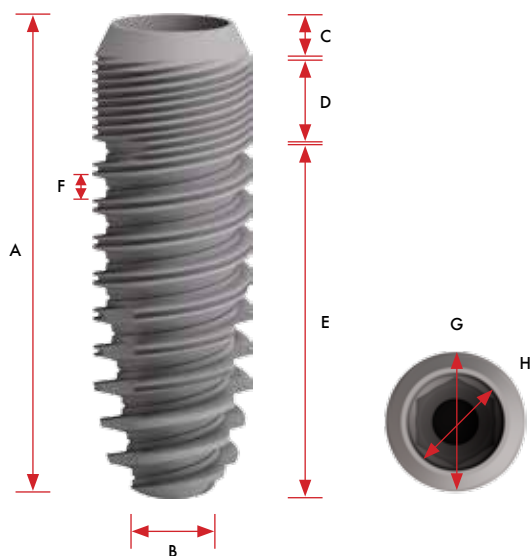


C-TECH
IMPLANT

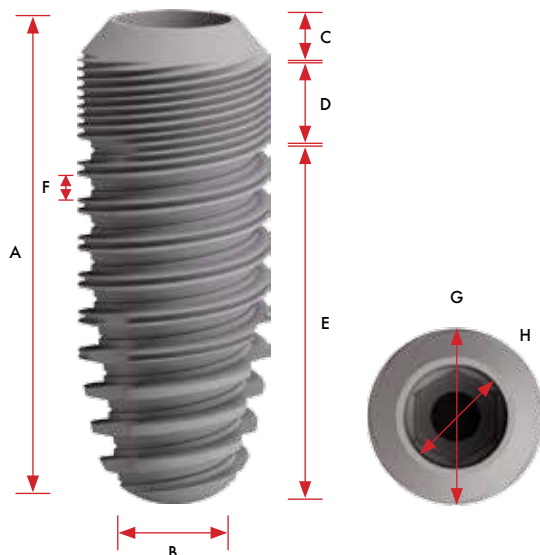
Fixture Dimensions



Ø	3.8	3.8	3.8	3.8
A	9	11	13	15
B	2,4	2,4	2,4	2,4
C	0,5	0,5	0,5	0,5
D	2,86	3,31	3,31	3,31
E	5,64	7,19	9,19	11,19
F	1,5	1,5	1,5	1,5
G	3,8	3,8	3,8	3,8
H	3	3	3	3



Ø	4.3	4.3	4.3	4.3	4.3
A	7	9	11	13	15
B	3,6	3,6	3,6	3,6	3,6
C	1	1	1	1	1
D	1	1,81	1,81	1,81	1,81
E	5	6,19	8,19	10,19	12,19
F	1,5	1,5	1,5	1,5	1,5
G	4,3	4,3	4,3	4,3	4,3
H	3	3	3	3	3



Ø	5.1	5.1	5.1	5.1	5.1
A	7	9	11	13	15
B	4,4	4,4	4,4	4,4	4,4
C	1	1	1	1	1
D	1	1,81	1,81	1,81	1,81
E	5	6,19	8,19	10,19	12,19
F	1,5	1,5	1,5	1,5	1,5
G	5,1	5,1	5,1	5,1	5,1
H	3	3	3	3	3

EL

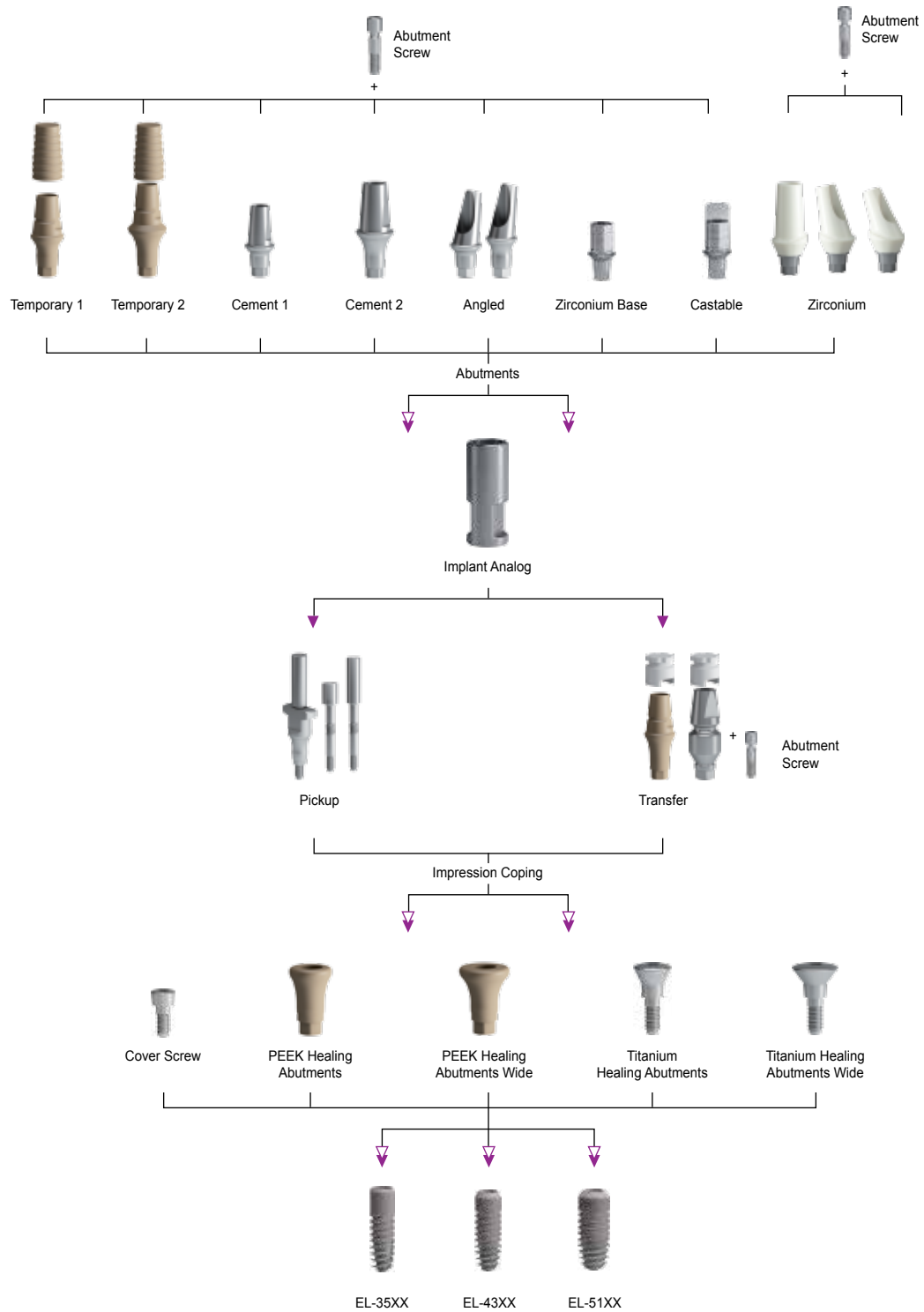
ESTHETIC LINE
implant



C-TECH
IMPLANT

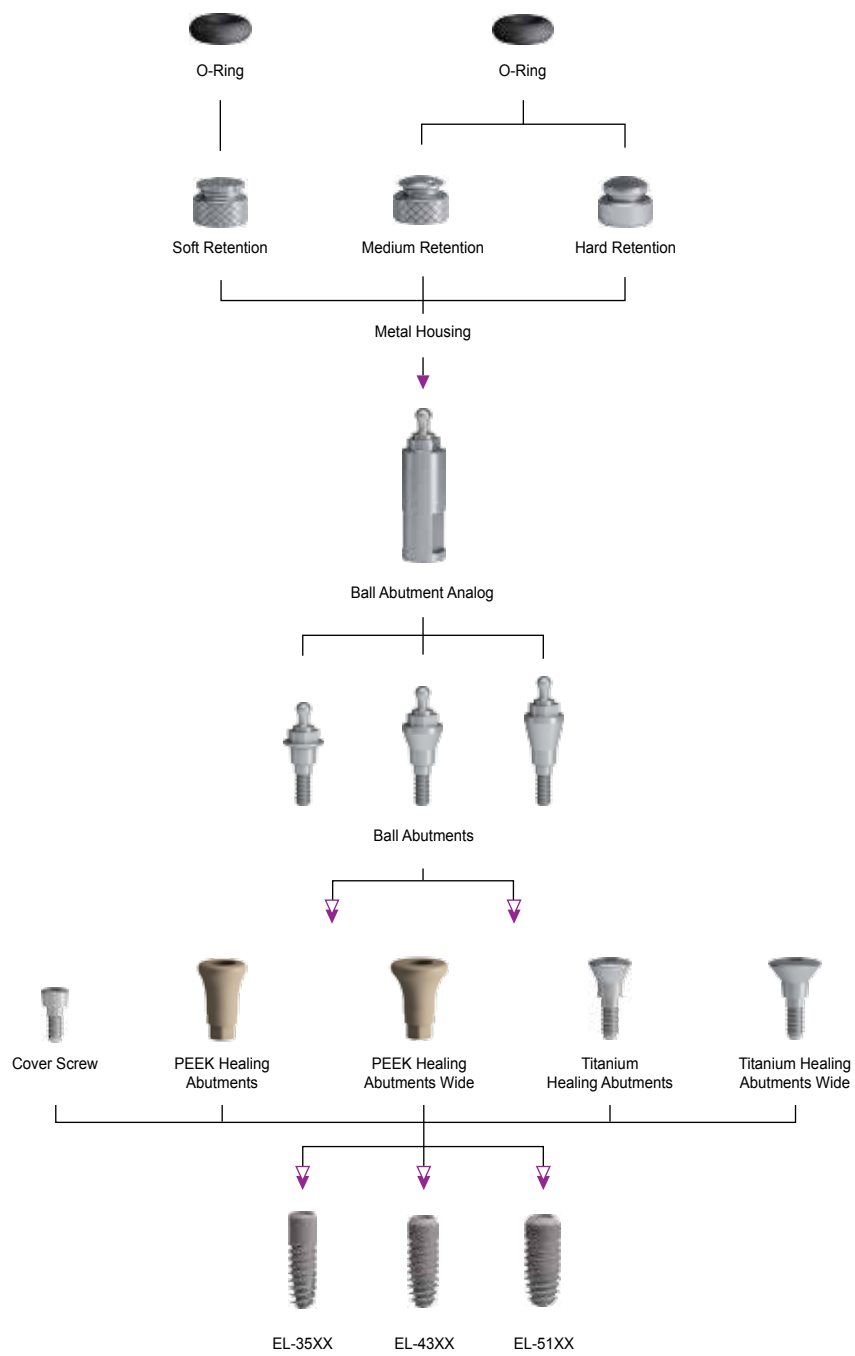
System Flowchart

Cement-Retained Restorations - **Cemented** Abutment
 Cement-Retained Restorations - **Angled** Abutment
 Screw-Retained Restorations - **UCLA** Abutment



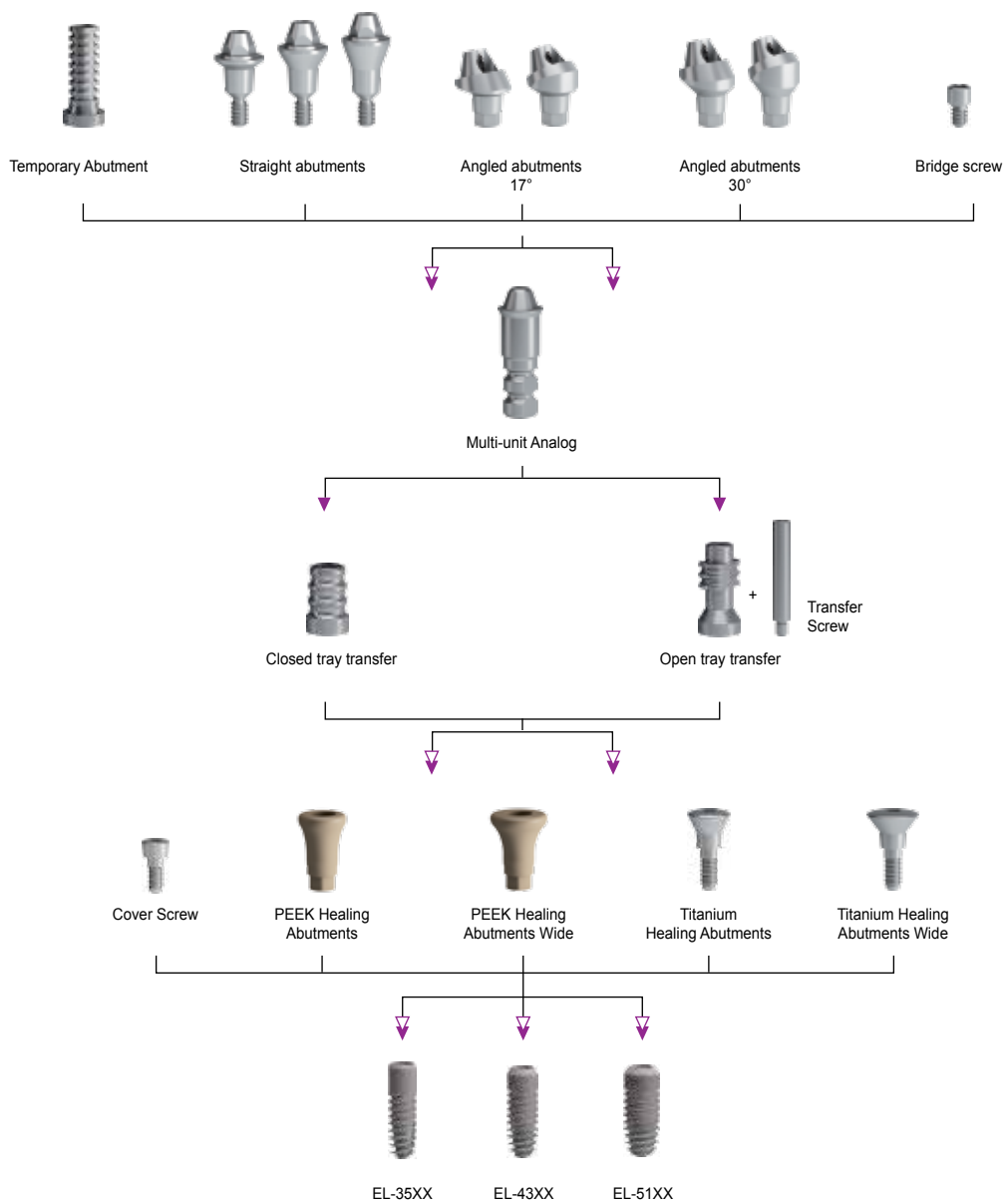
System Flowchart

Overdenture-Retained Restorations - **Ball** Abutment

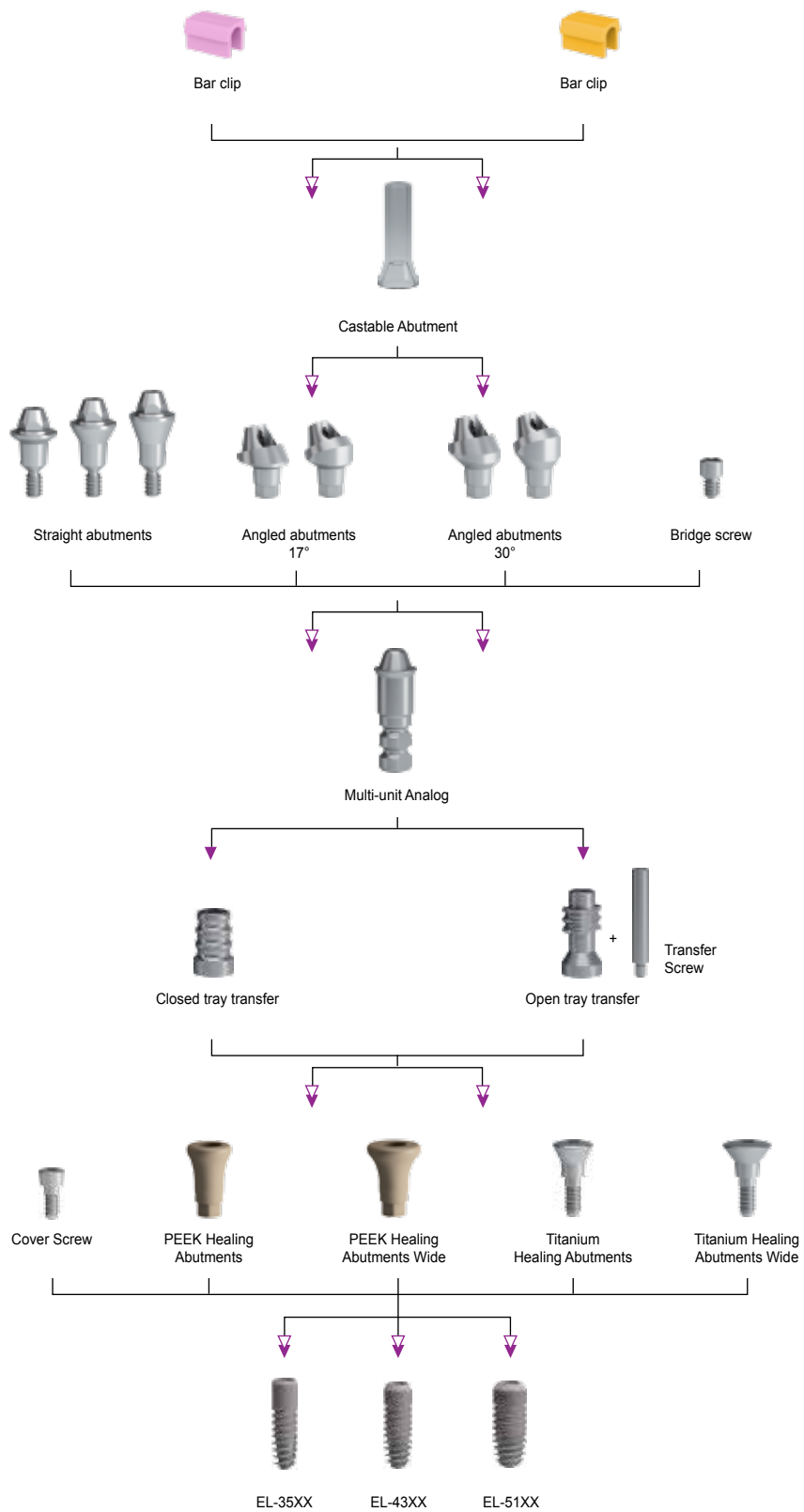


System Flowchart

Screw-Retained Multi-Unit Restorations

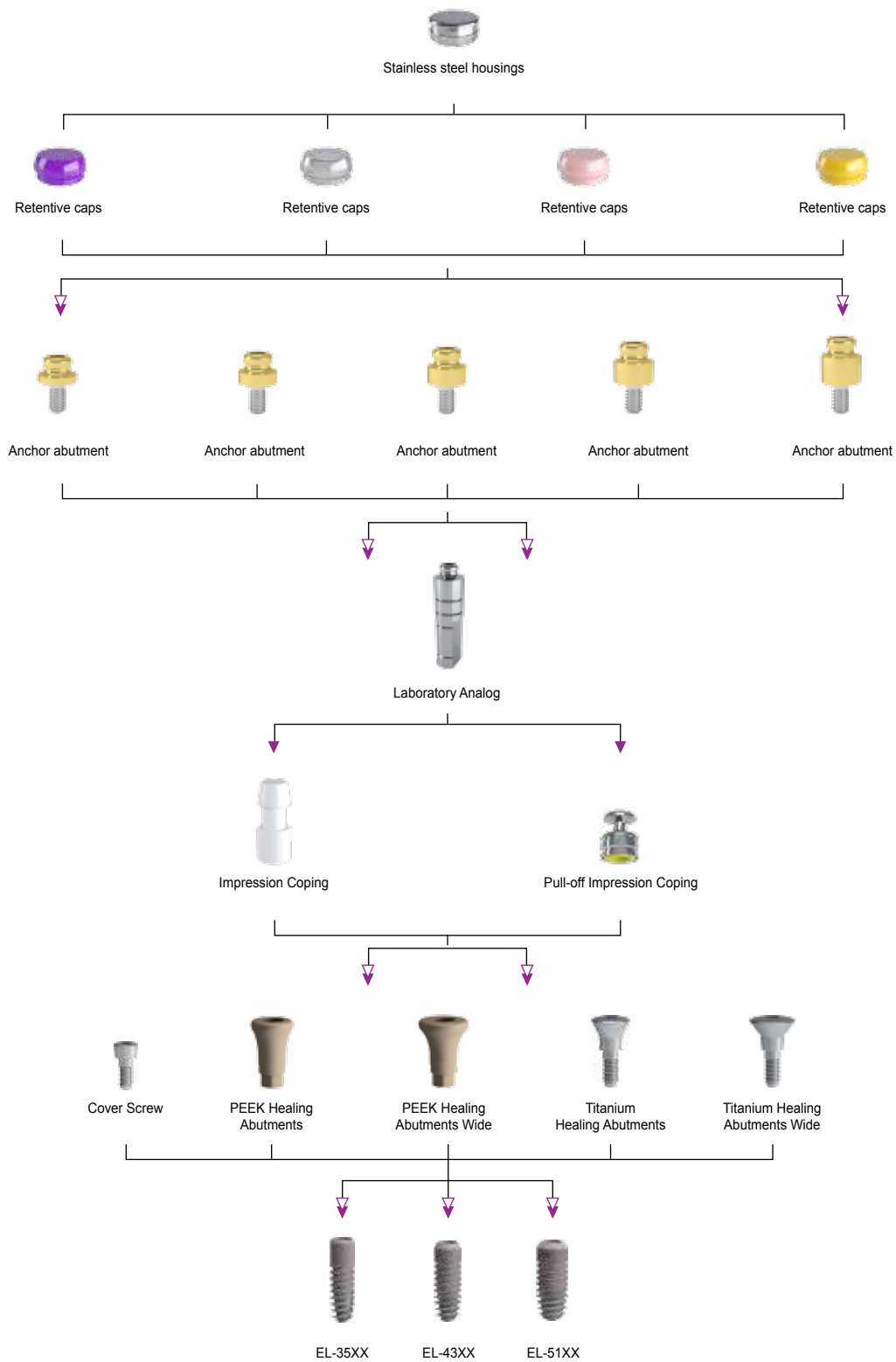


System Flowchart
Bar Retained Restorations

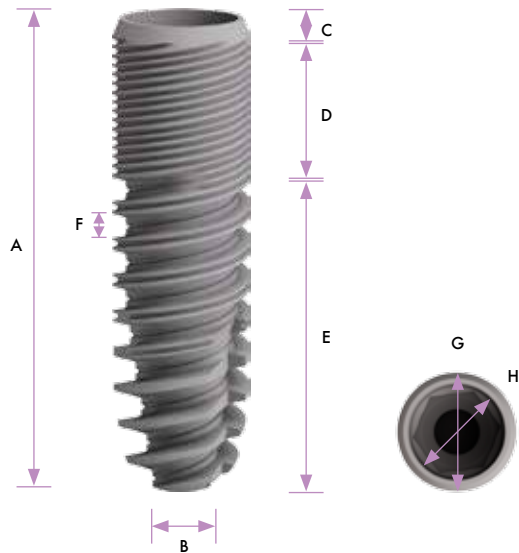


System Flowchart

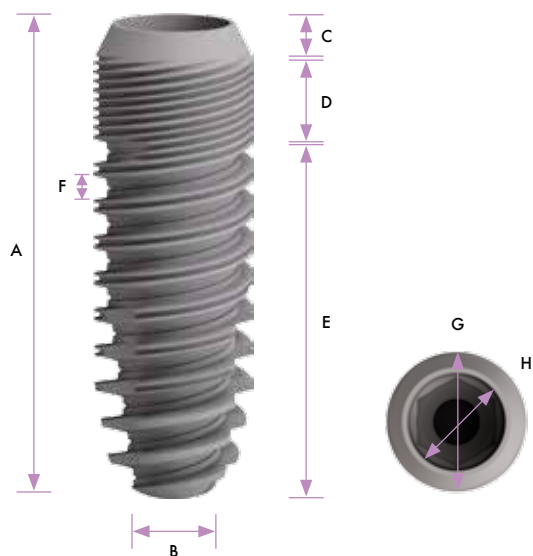
Anchor Abutment Retained System



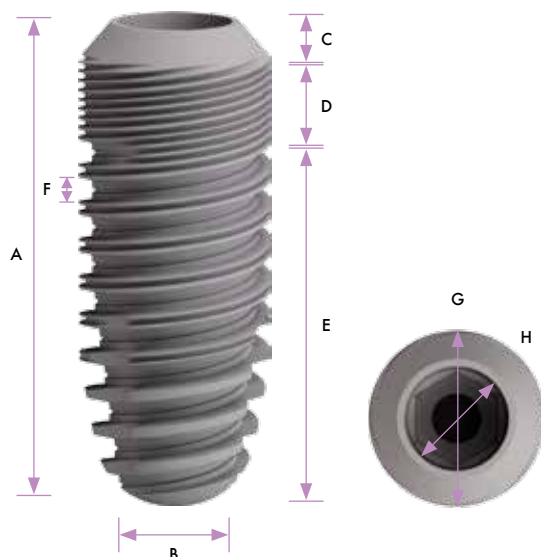
Fixture Dimensions



Ø	3.8	3.8	3.8	3.8
A	9	11	13	15
B	2,4	2,4	2,4	2,4
C	0,5	0,5	0,5	0,5
D	2,86	3,31	3,31	3,31
E	5,64	7,19	9,19	11,19
F	1,5	1,5	1,5	1,5
G	3,8	3,8	3,8	3,8
H	3	3	3	3



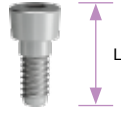
Ø	4.3	4.3	4.3	4.3	4.3
A	7	9	11	13	15
B	3,6	3,6	3,6	3,6	3,6
C	1	1	1	1	1
D	1	1,81	1,81	1,81	1,81
E	5	6,19	8,19	10,19	12,19
F	1,5	1,5	1,5	1,5	1,5
G	4,3	4,3	4,3	4,3	4,3
H	3	3	3	3	3



Ø	5.1	5.1	5.1	5.1	5.1
A	7	9	11	13	15
B	4,4	4,4	4,4	4,4	4,4
C	1	1	1	1	1
D	1	1,81	1,81	1,81	1,81
E	5	6,19	8,19	10,19	12,19
F	1,5	1,5	1,5	1,5	1,5
G	5,1	5,1	5,1	5,1	5,1
H	3	3	3	3	3

Healing Abutments

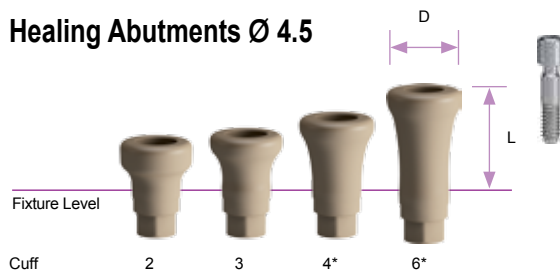
Headless Cover Screw



L	Ø 3.8	Ø 4.3	Ø 5.1
5,9	BL-4305		

- Fits all diameters
- Fits 1.25 prosthetic Hex Driver
- Tightening torque 10 Ncm

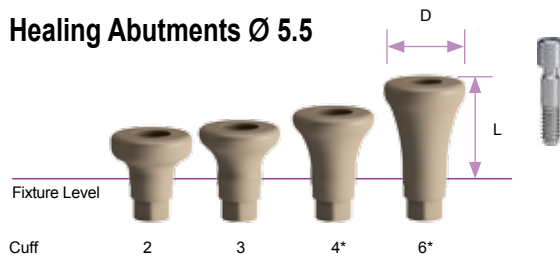
Healing Abutments Ø 4.5



D	Fixture			
	L	Ø 3.8	Ø 4.3	Ø 5.1
4,5	2.5	EL-4502H		
	3.5	EL-4502H		
	4.5	EL-4504H		
	6.5	EL-4506H		

- Accommodates subcrestal implant seating
- Uses 1.25 prosthetic driver
- Tightening torque 15 Ncm
- Material: PEEK
- Includes prosthetic screw

Healing Abutments Ø 5.5

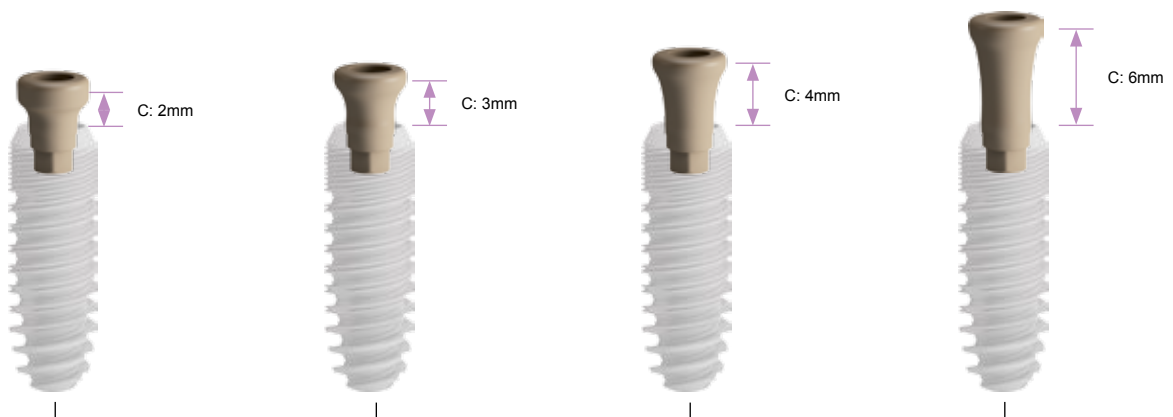


D	Fixture			
	L	Ø 3.8	Ø 4.3	Ø 5.1
5,5	2.5	EL-5502H		
	3.5	EL-5502H		
	4.5	EL-5504H		
	6.5	EL-5506H		

- Accommodates subcrestal implant seating
- Uses 1.25 prosthetic driver
- Tightening torque 15 Ncm
- Material: PEEK
- Includes prosthetic screw



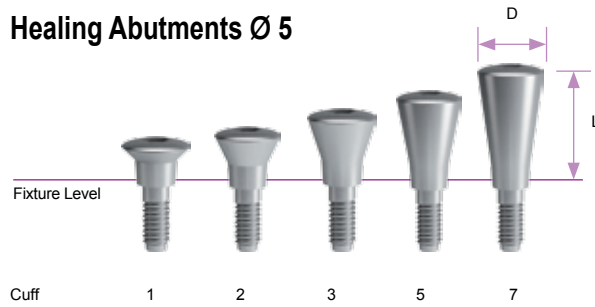
* Healing abutments h. 4 and 6 use screw EL-5052HXL



Ø 3.8 - Ø 4.3 - Ø 5.1

Healing Abutments

Healing Abutments Ø 5

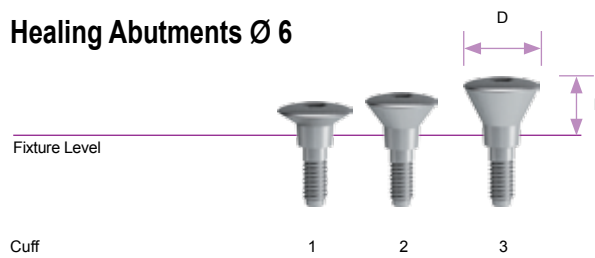


D	Fixture			
	L	Ø 3.8	Ø 4.3	Ø 5.1
5	1.5			BL-5010
	2.5			BL-5011
	3.5			BL-5012
	5.5			BL-5014
	7.5			BL-5015



- Accommodates subcrestal implant seating
- Uses 1.25 prosthetic driver
- Tightening torque 15 Ncm
- Material: titanium grade 5

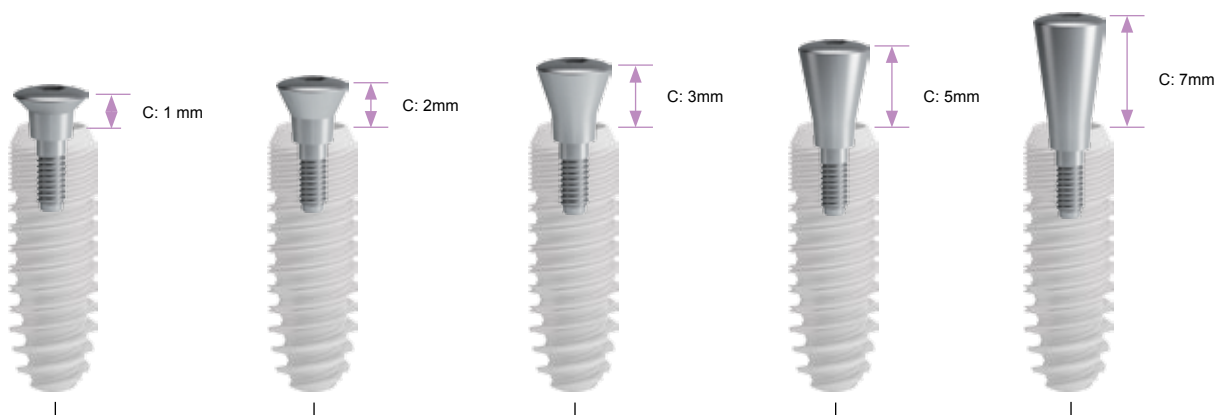
Healing Abutments Ø 6



D	Fixture			
	L	Ø 3.8	Ø 4.3	Ø 5.1
5	1.5			BL-6010
	2.5			BL-6011
	3.5			BL-6012



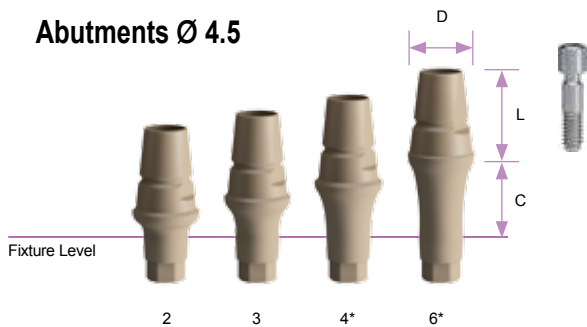
- Accommodates subcrestal implant seating
- Uses 1.25 prosthetic driver
- Tightening torque 15 Ncm
- Material: titanium grade 5



Ø 3.8 - Ø 4.3 - Ø 5.1

PEEK Temporary Abutments

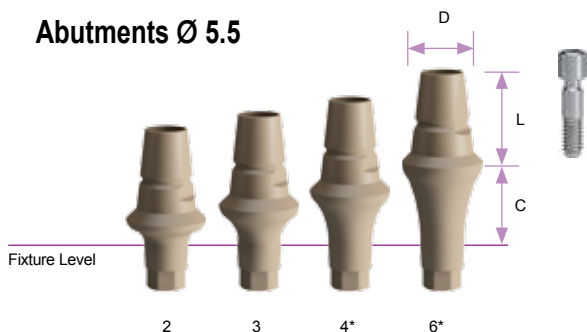
Abutments Ø 4.5



L	D	C	Fixture	Ø 3.8	Ø 4.3	Ø 5.1
			2			EL-4502P
5,70	4,5		3			EL-4503P
			4			EL-4504P
			6			EL-4506P

- Material: PEEK
- Includes screw
- Together with the EL-4543 Temp cap, the EL PEEK temporary abutments can be used to stabilize a prosthesis
- Together with the EL-4506P impression cap the EL PEEK temporary abutments can be used as closed tray impression posts
- Tightening torque 15 Ncm

Abutments Ø 5.5



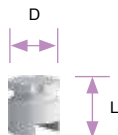
L	D	C	Fixture	Ø 3.8	Ø 4.3	Ø 5.1
			2			EL-5502P
5,70	5,5		3			EL-5503P
			4			EL-5504P
			6			EL-5506P

- Material: PEEK
- Includes screw
- Together with the EL-4543 Temp cap, the EL PEEK temporary abutments can be used to stabilize a prosthesis
- Together with the EL-4506P impression cap the EL PEEK temporary abutments can be used as closed tray impression posts
- Tightening torque 15 Ncm



* Temporary abutments h. 4 and 6 use screw EL-5052HXL

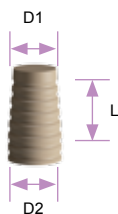
Impression Cap



L	D	Item#
5	4	EL-4506P

- Material POM

Temp cap

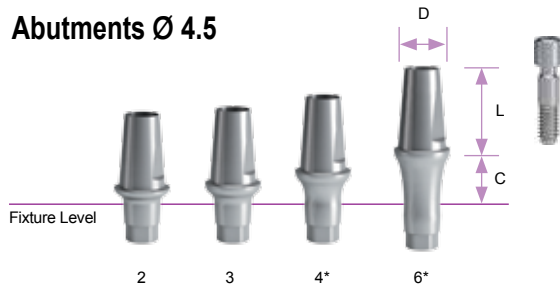


L	D1	D2	Item#
7,8	3,59	4,5	EL-4543

- Material: PEEK

Titanium Final Abutments

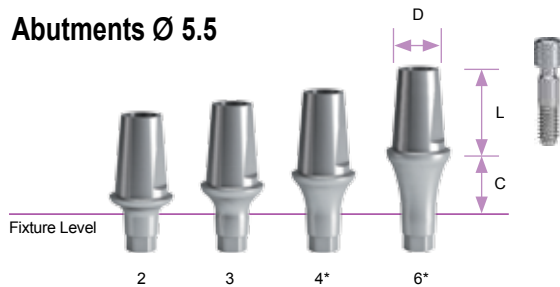
Abutments Ø 4.5



L	D	Fixture		
		C	Ø 3.8	Ø 4.3
6	4,5	2	EL-4502F	
		3	EL-4503F	
		4	EL-4504F	
		6	EL-4506F	

- Morse tapered locking titanium abutments
- Extractor System allows easy removal from implant and analog
- Concave esthetic concept for maximal soft tissue development
- Tightening torque 25 ncm
- Includes prosthetic screw

Abutments Ø 5.5



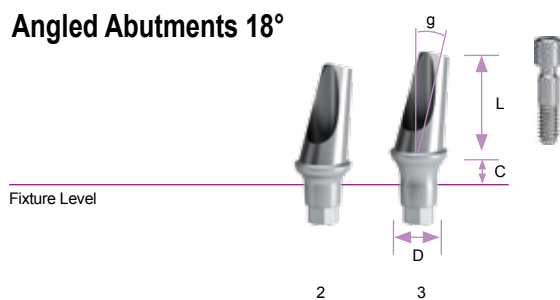
L	D	Fixture		
		C	Ø 3.8	Ø 4.3
7	5,5	2	EL-5502F	
		3	EL-5503F	
		4	EL-5504F	
		6	EL-5506F	

- Morse tapered locking titanium abutments
- Extractor System allows easy removal from implant and analog
- Concave esthetic concept for maximal soft tissue development
- Tightening torque 25 ncm
- Includes prosthetic screw



* Final abutments h. 4 and 6 use screw EL-5052HXL

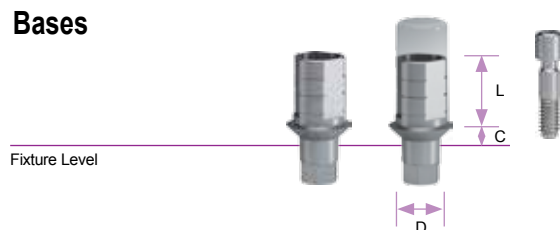
Angled Abutments 18°



L	D	Fixture		G	Ø 3.8	Ø 4.3	Ø 5.1
		C					
7,70	4,5	2	18°	EL-4518/2			
		3		EL-4518/3			

- Morse tapered locking titanium abutments
- Extractor System allows easy removal from implant and analog
- Concave esthetic concept for maximal soft tissue development
- Tightening torque 25 ncm
- Includes prosthetic screw

Bases

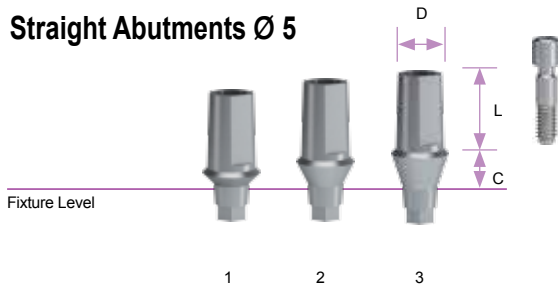


L	D	Fixture		
		C	Ø 3.8	Ø 4.3
5	4,2	0,5	BL-6046	
			BL-6045 CASTABLE	

- Morse tapered locking titanium abutments
- Extractor System allows easy removal from implant and analog
- Concave esthetic concept for maximal soft tissue development
- Tightening torque 25 ncm
- Includes prosthetic screw

Titanium Abutments

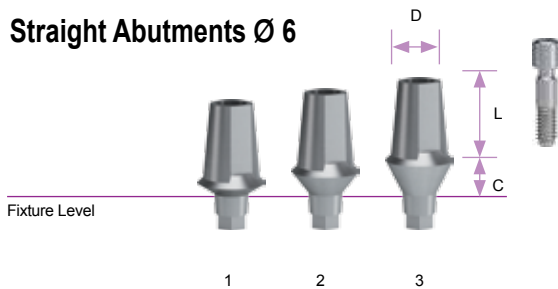
Straight Abutments Ø 5



L	D	Fixture			
		C	Ø 3.8	Ø 4.3	Ø 5.1
6	4,5	1	BL-4525/1		
		2	BL-4525/2		
		3	BL-4525/3		

- Morse tapered locking titanium abutments
- Extractor System allows easy removal from implant and analog
- Switching platform concept
- Tightening torque 25 ncm
- Includes prosthetic screw

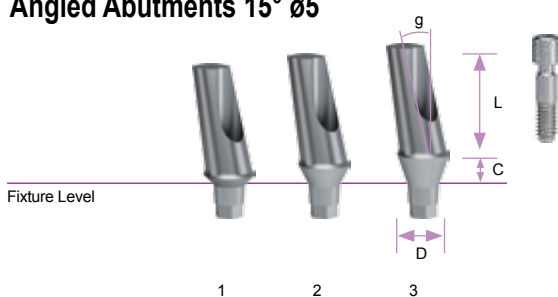
Straight Abutments Ø 6



L	D	Fixture			
		C	Ø 3.8	Ø 4.3	Ø 5.1
7	5,5	1	BL-4526/1		
		2	BL-4526/2		
		3	BL-4526/3		

- Morse tapered locking titanium abutments
- Extractor System allows easy removal from implant and analog
- Switching platform concept
- Tightening torque 25 ncm
- Includes prosthetic screw

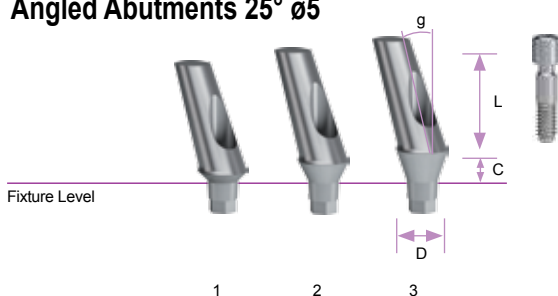
Angled Abutments 15° Ø5



L	D	Fixture		G	Ø 3.8	Ø 4.3	Ø 5.1
		C					
7,70	4,5	1	15°	BL-1545/1			
		2		BL-1545/2			
		3		BL-1545/3			

- Morse tapered locking titanium abutments
- Extractor System allows easy removal from implant and analog
- Switching platform concept
- Tightening torque 25 ncm
- Includes prosthetic screw

Angled Abutments 25° Ø5

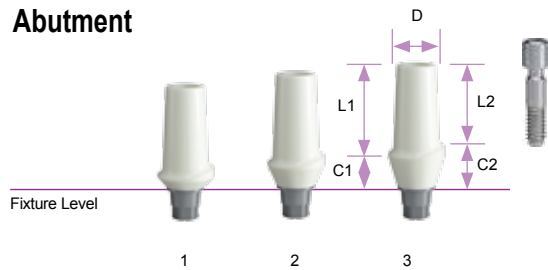


L	D	Fixture		G	Ø 3.8	Ø 4.3	Ø 5.1
		C					
7,70	4,5	1	25°	BL-2545/1			
		2		BL-2545/2			
		3		BL-2545/3			

- Morse tapered locking titanium abutments
- Extractor System allows easy removal from implant and analog
- Switching platform concept
- Tightening torque 25 ncm
- Includes prosthetic screw

Zirconium Final Abutments

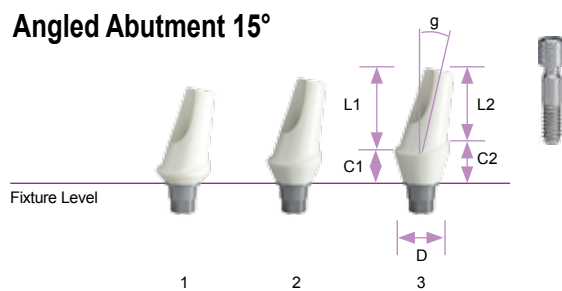
Abutment



D	L1	L2	C1	C2	Ø 3.8	Ø 4.3	Ø 5.1
5,5	8,7	8,4	1,5	2,5	BL-4525-Z01		
			2,5	3,5	BL-4525-Z02		
			3,5	4,5	BL-4525-Z03		

- Material Base: Titanium Grade 5
- Material Abutment: Zirconium Oxide
- Includes prosthetic screw
- Tightening torque

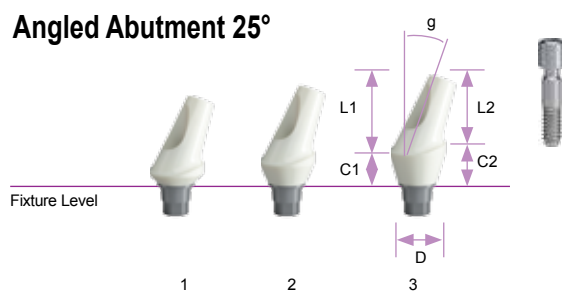
Angled Abutment 15°



D	L1	L2	C1	C2	Ø 3.8	Ø 4.3	Ø 5.1
5,5	8,7	6,5	1,5	2,5	BL-1543-Z01		
			2,5	3,5	BL-1543-Z02		
			3,5	4,5	BL-1543-Z02		

- Material Base: Titanium Grade 5
- Material Abutment: Zirconium Oxide
- Includes prosthetic screw
- Tightening torque

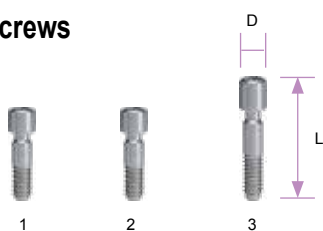
Angled Abutment 25°



D	L1	L2	C1	C2	Ø 3.8	Ø 4.3	Ø 5.1
5,5	8,7	6,5	1,5	2,5	BL-2545-Z01		
			2,5	3,5	BL-2545-Z02		
			3,5	4,5	BL-2545-Z03		

- Material Base: Titanium Grade 5
- Material Abutment: Zirconium Oxide
- Includes prosthetic screw
- Tightening torque

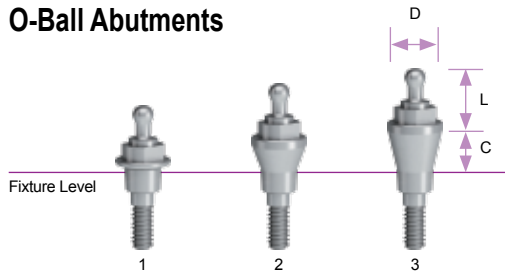
Prosthetic Screws



D	L	Item#	Compatibility
1,8	8,5	BL-5052 HX	All EL abutments except those with gingival heights of 4 and 6mm
1,8	9,3	EL-5052HXL	EL abutments and healing abutments with height of 4 and 6mm
1,8	8,5	Z-5052	All Zirconium abutments

Overdenture - O-ball Retained Restorations

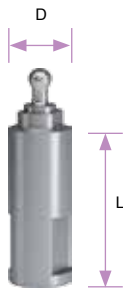
O-Ball Abutments



L	D	C	Fixture	Ø 3.8	Ø 4.3	Ø 5.1
				3,7	4	1
			2	BL-5642		
			3	BL-5643		

- Set includes: Abutment, Housing and O-ring
- Material: Titanium grade 5 and Housing in Titanium grade 5 and ring in FDA Buna
- Tightening Torque: 35 Ncm

O-Ball Abutments Analog



L	D	Item#
11,5	4	BL-5144

- Provides anchor point for ball abutment on working model
- Material: Titanium grade 5

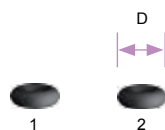
O-Ball Abutments Housings



L	D	Item#	Retention
3,5	4,6	MCH-1	Soft Retained
3,20	4,21	MCH-2	Medium Retained
2,97	4	MCH-3	Hard Retained

- Housing with replaceable O-ring
- Material: Titanium Grade 5 and FDA Buna

O-Ring

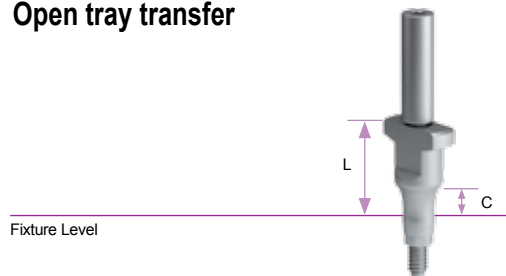


D	Item#
3,88	MC-3005
4,46	MC-3005B

- Package Contents: O-Ring (5 piece)
- Material: FDA Buna

Impression Transfer

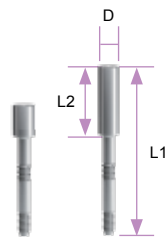
Open tray transfer



L	C	Item#
9,15	3,90	EL-4544

- Concave shaped cuff
- Material: Titanium grade 5
- Includes: Transfer and post

Post screw



L1	L2	D	Item#
20,7	6	4	BL-5050S
24,7	10	4	BL-5050L

- Material: Titanium grade 5

Implant analog

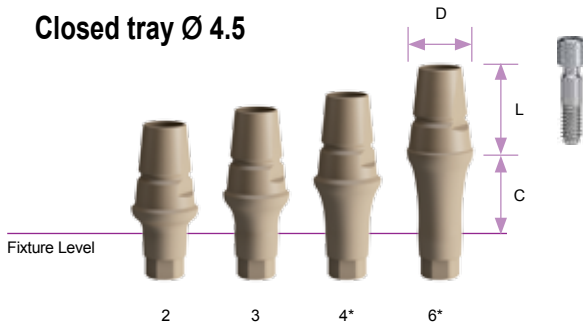


L	D	Item#
11,5	4	EL-5143

- Material: Titanium grade 5

Impression Transfer

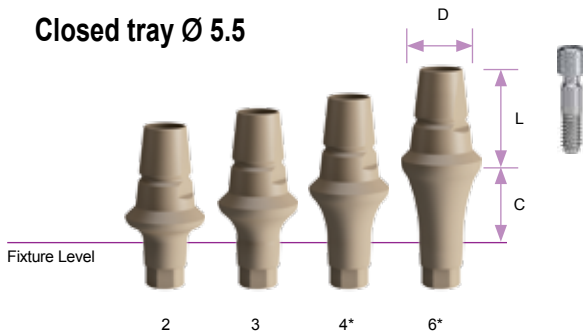
Closed tray Ø 4.5



L	D	Fixture			
		C	Ø 3.8	Ø 4.3	Ø 5.1
5,70	4,5	2	EL-4502P		
		3	EL-4503P		
		4	EL-4504P		
		6	EL-4506P		

- Material: PEEK
- Includes screw
- Together with the EL-4506P impression cap the EL PEEK temporary abutments can be used as closed tray impression posts
- Together with the EL-4543 Temp cap, the EL PEEK temporary abutments can be used to stabilize a prosthesis
- Tightening torque 15 Ncm

Closed tray Ø 5.5



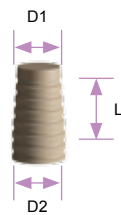
L	D	Fixture			
		C	Ø 3.8	Ø 4.3	Ø 5.1
5,70	5,5	2	EL-5502P		
		3	EL-5503P		
		4	EL-5504P		
		6	EL-5506P		

- Material: PEEK
- Includes screw
- Together with the EL-4506P impression cap the EL PEEK temporary abutments can be used as closed tray impression posts
- Together with the EL-4543 Temp cap, the EL PEEK temporary abutments can be used to stabilize a prosthesis
- Tightening torque 15 Ncm



* Temporary abutments h. 4 and 6 use screw EL-5052HXL

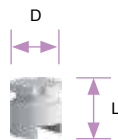
Temp cap



L	D1	D2	Item#
7,8	3,59	4,5	EL-4543

- Material: PEEK

Impression cap



L	D	Item#
5	4	EL-4506P

- Material: POM

Implant analog

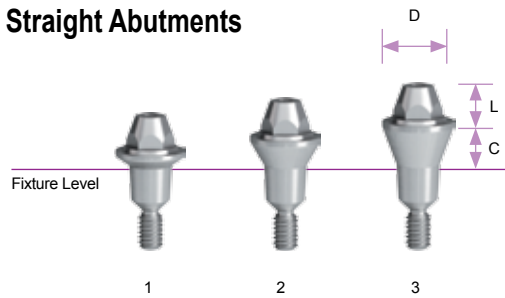


L	D	Item#
11,5	4	EL-5143

- Material : Titanium grade 5

Screw Retained Restorations

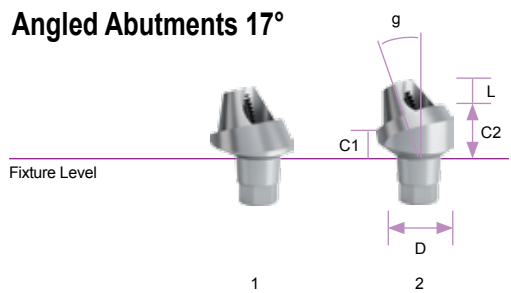
Straight Abutments



L	D	C	Item#
2,5	5	1	BL-4750/1
		2	BL-4750/2
		3	BL-4750/3

- Material: Titanium grade 5
- Tightening torque: 30Ncm

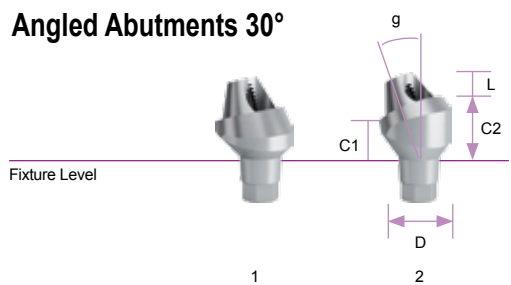
Angled Abutments 17°



L	D	C1	C2	Item#
2,5	5,5	1	2,5	BL-1750/1
		2	3,5	BL-1750/2

- Material: Titanium grade 5
- Set includes: Abutment and screw
- Tightening torque: 30Ncm

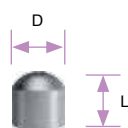
Angled Abutments 30°



L	D	C1	C2	Item#
2,5	5,5	1	3,5	BL-3050/1
		2	4,5	BL-3050/2

- Material: Titanium grade 5
- Set includes: Abutment and screw
- Tightening torque: 30Ncm

Screw Retained Healing Cap



L	D	Item#
5,7	5	BL-7000

- Material: Titanium grade 5

Screw Retained Restorations

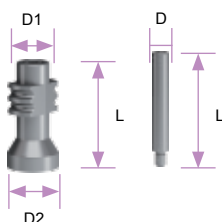
Closed Tray Transfer



L	D1	D2	Item#
8	4,2	5	BL-7010

- Material: Titanium grade 5

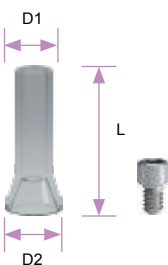
Open Tray Transfer



L	D1	D2	Item#
10,5	4,2	5	BL-7011
15	2,1	-	BL-7012

- Material: Titanium grade 5

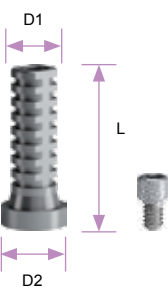
Castable abutment



L	D1	D2	Item#
12,45	3,3	4,6	BL-5647

- Material: POM
- Set includes: Castable abutment and screw

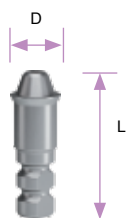
Temporary titanium abutment



L	D1	D2	Item#
12	3,5	5	BL-4526

- Material: Titanium grade 5
- Set includes: Abutment and screw

Analog

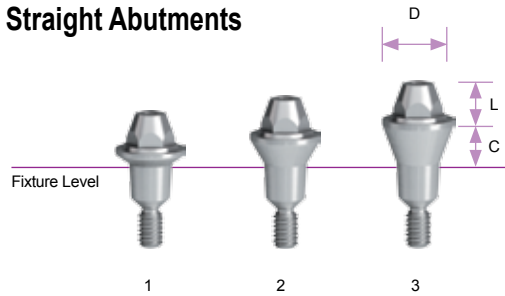


L	D	Item#
14,7	5	BL-5146

- Material: Titanium grade 5

Bar Retained Restorations

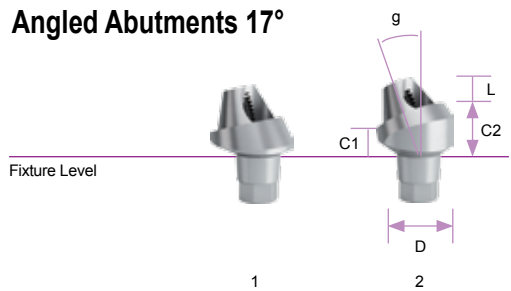
Straight Abutments



L	D	C	Item#
2,5	5	1	BL-4750/1
		2	BL-4750/2
		3	BL-4750/3

- Material: Titanium grade 5
- Tightening torque: 30Ncm

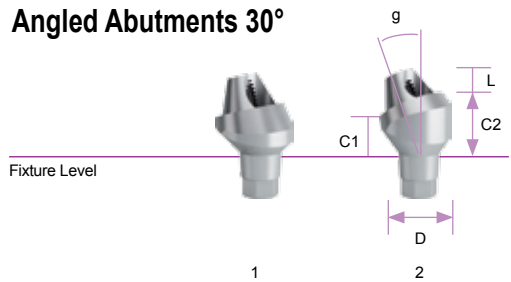
Angled Abutments 17°



L	D	C1	C2	Item#
2,5	5,5	1	2,5	BL-1750/1
		2	3,5	BL-1750/2

- Material: Titanium grade 5
- Set includes: Abutment and screw
- Tightening torque: 30Ncm

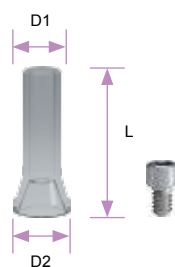
Angled Abutments 30°



L	D	C1	C2	Item#
2,5	5,5	1	3,5	BL-3050/1
		2	4,5	BL-3050/2

- Material: Titanium grade 5
- Set includes: Abutment and screw
- Tightening torque: 30Ncm

Castable abutment



L	D1	D2	Item#
12,45	3,3	4,6	BL-5647

- Material: POM
- Set includes: Castable abutment and screw

Bar Retained Restorations

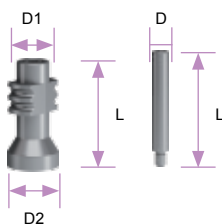
Closed Tray Transfer



L	D1	D2	Item#
8	4,2	5	BL-7010

- Material: Titanium grade 5

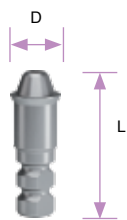
Open Tray Transfer



L	D1	D2	Item#
10,5	4,2	5	BL-7011
15	2,1	-	BL-7012

- Material: Titanium grade 5

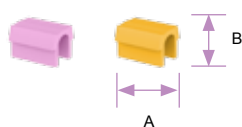
Analog



L	D	Item#
14,7	5	BL-5146

- Material: Titanium grade 5

Bar Clip

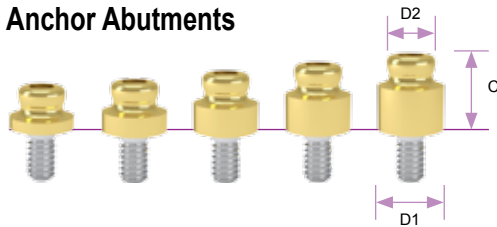


A	B	Item#	Retention
0,5	0,3	027CRR	soft
0,5	0,3	027CRG	medium

- Material: plastic
 - Set includes: 4 pcs.

Overdenture Anchor Retained System

Anchor Abutments



D1	D2	C	Item#
4,3	2,5	2,4	130BL1
4,3	2,5	3,4	130BL2
4,3	2,5	4,4	130BL3
4,3	2,5	5,4	130BL4
4,3	2,5	6,4	130BL5

- Material: Titanium
- Set includes: 1 anchor abutment, 1 stainless steel housing (140CEV), 1 retentive cap white (140CET), 1 retentive cap pink (140CER), 1 retentive cap yellow (140CEG).
- Tightening torque: 25 Ncm

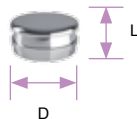
Anchor Abutment Analogue



D1	D2	L	Item#
4	2,5	15,6	144AE

- Material: Aisi 303
- Set includes: 2 analogs

Anchor Abutment Housings



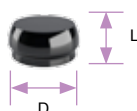
D	L	Item#
4,5	1,98	141CAE

- Material: Aisi 303
- Set includes: 2 housings



D	L	Item#	Retention
3,85	1,73	140CEV	strong
3,85	1,73	140CET	standard
3,85	1,73	140CER	soft
3,85	1,73	140CEG	extra soft

- Material: Plastic material
- Set includes: 4 caps



D	L	Item#
3,85	1,73	140CEN

- Material: Plastic material
- Set includes: 4 caps

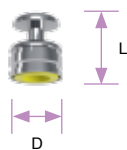
Overdenture Anchor Retained System

Anchor Abutment Impression Cap



D	L	Item#
3,7	9	144MTE

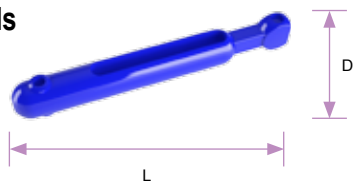
- Material: Plastic material
- Set includes: 2 impression caping



D	L	Item#
4,6	5,5	044CAIN

- Material: Aisi 303
- Set includes: 2 impression caping

Insertion Tools For Caps



D	L	Item#
11	83	124ICP

- Material: Plastic material
- Set includes: 1 multiuse plastic tool



D	L	Item#
4	40	185IAC

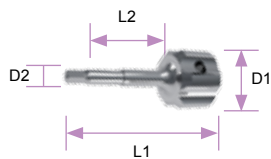
- Material: Aisi 303
- Set includes: 1 multiuse insertion tool



D	L	Item#
4	40	191ECS

- Material: Aisi 420 tempered
- Set includes: 1 multiuse extensor tool

Anchor Abutment Screw Driver



D1	D2	L1	L2	Item#
9	3,5	17	10,5	774CQ

- Material: Aisi 420 tempered
- Set includes: 1 multiuse screw driver

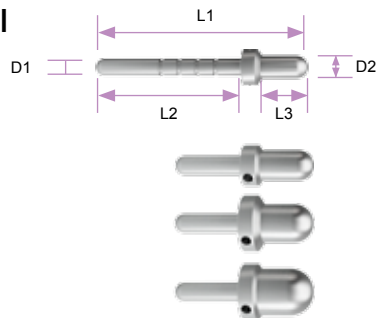


D1	L	Item#
2,3	22	760CE

- Material: Aisi 420 tempered
- Set includes: 1 multiuse screw driver

Surgical Instruments

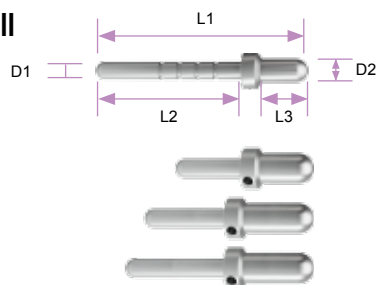
Parallel Pins I



L1	L2	L3	D1	D2	Item#
23,5	16,5	5,5	1,9	2,5	CT-PIN1
14	7,0	5,5	1,9	3	CT-PIN2
14	7	5,5	1,9	3,8	CT-PIN3
14	7	5,5	1,9	4,6	CT-PIN4

- Material: Titanium grade 5

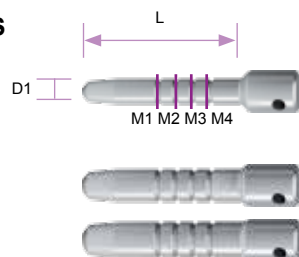
Parallel Pins II



L1	L2	L3	D1	D2	Item#
23,5	16,5	5,5	1,9	2,5	CT-PIN1
14	7,0	5,5	1,9	3	CT-PIN2
17.5	7	9	1,9	3	CT-PIN5
19.5	9	9	1,9	3	CT-PIN6

- Material: Titanium grade 5

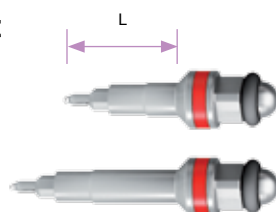
Depth Gauges



L	D	Item#			
18,5	3	CT-E9007			
	3,8	CT-E9008			
	4,6	CT-E9010			
		M1	M2	M3	M4
		7	9	11	13

- Material: Titanium grade 5

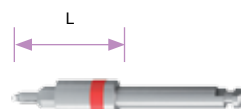
Implant Ratchet Drivers



L	Item#
10,8	BL-E7001
17,8	BL-E7001L

- Material: Stainless Steel
- Drivers with implant retention

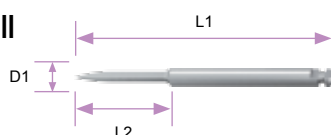
Implant Drivers



L	Item#
11,8	BL-E9040

- Material: Stainless Steel
- Drivers with implant retention

Locator Drill

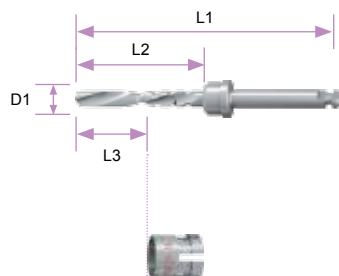


L1	L2	D	Item#
29	15	0,76	CT-2020

- Usage: 30 Patient/Sterilizations
- Material: Stainless Steel

Surgical Instruments

Initial Drill



D	2,1
L1	35,2
L2	17,2
Item#	CT-1720

- Usage: 30 Patient/Sterilizations
- Material: Stainless Steel

L3	Drille Stopper
6	CT-STOP06
7	CT-STOP02
8	CT-STOP01
9	CT-STOP07
10	CT-STOP03
11	CT-STOP08
12	CT-STOP12
13	CT-STOP09
14	CT-STOP14
15	CT-STOP10

- Material: Stainless Steel

* Metal stoppers can not be mounted on Ø 5.1 drills

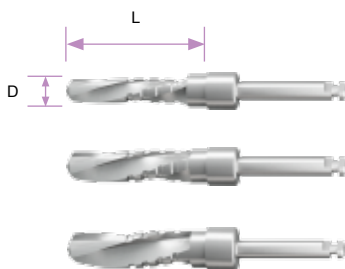
Drill Extender



L	Item#
25	CT-2000

- Material: Stainless Steel

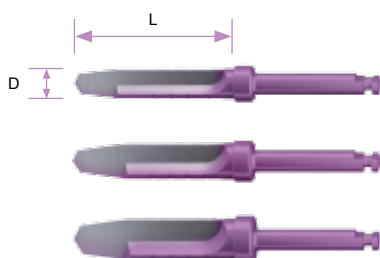
Main Drills



L	D	Fixture		
		Ø 3.8	Ø 4.3	Ø 5.1
19,2	3,2	CT-1735E	-	-
	4	-	CT-1743E	-
	4,6	-	-	CT-1751E

- Usage: 30 Patient/Sterilizations
- Material: Stainless Steel

Hard Bone Drills

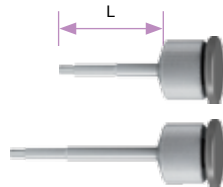


L	D	Fixture		
		Ø 3.8	Ø 4.3	Ø 5.1
18,66	3,45	CT-1735N	-	-
	4,1	-	CT-1743N	-
	4,88	-	-	CT-1751N

- Usage: 30 Patient/Sterilizations
- Material: Titanium grade 5

Surgical Instruments

Prosthetic Swivel
Finger Driver



L	Item#
12,5	CT-9025S
18,5	CT-9025

- Material: Stainless Steel and PEEK

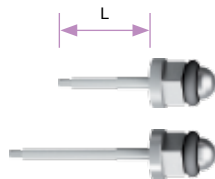
Prosthetic
Latch Driver



L	Item#
26,5	CT-9019

- Material: Stainless steel

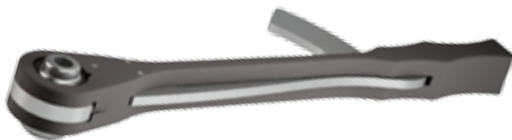
Prosthetic
Ratchet Driver



L	Item#
12,5	CT-8051
18,5	CT-8052

- Material: Stainless steel & FDA Buna

Torque Wrench



Variable	Item#
to 50Ncm	CT-8010PEEK

- Material: PEEK

ND

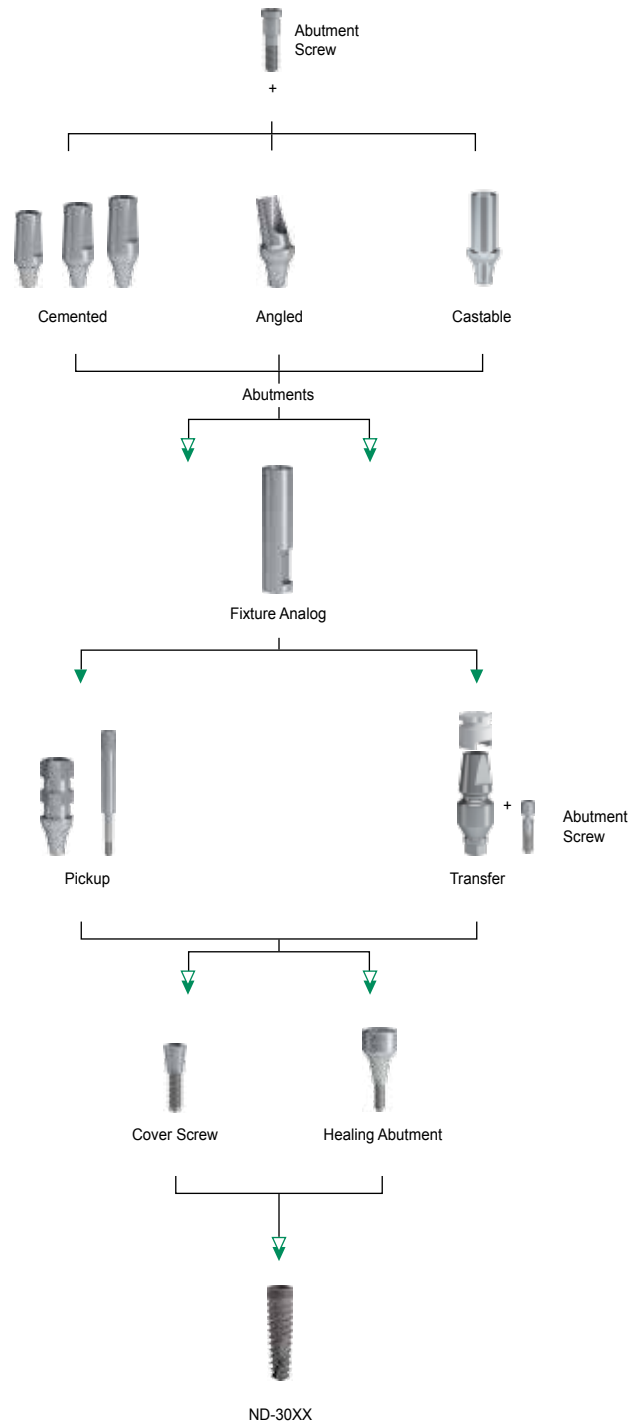
NARROW DIAMETER
implant



C-TECH
IMPLANT

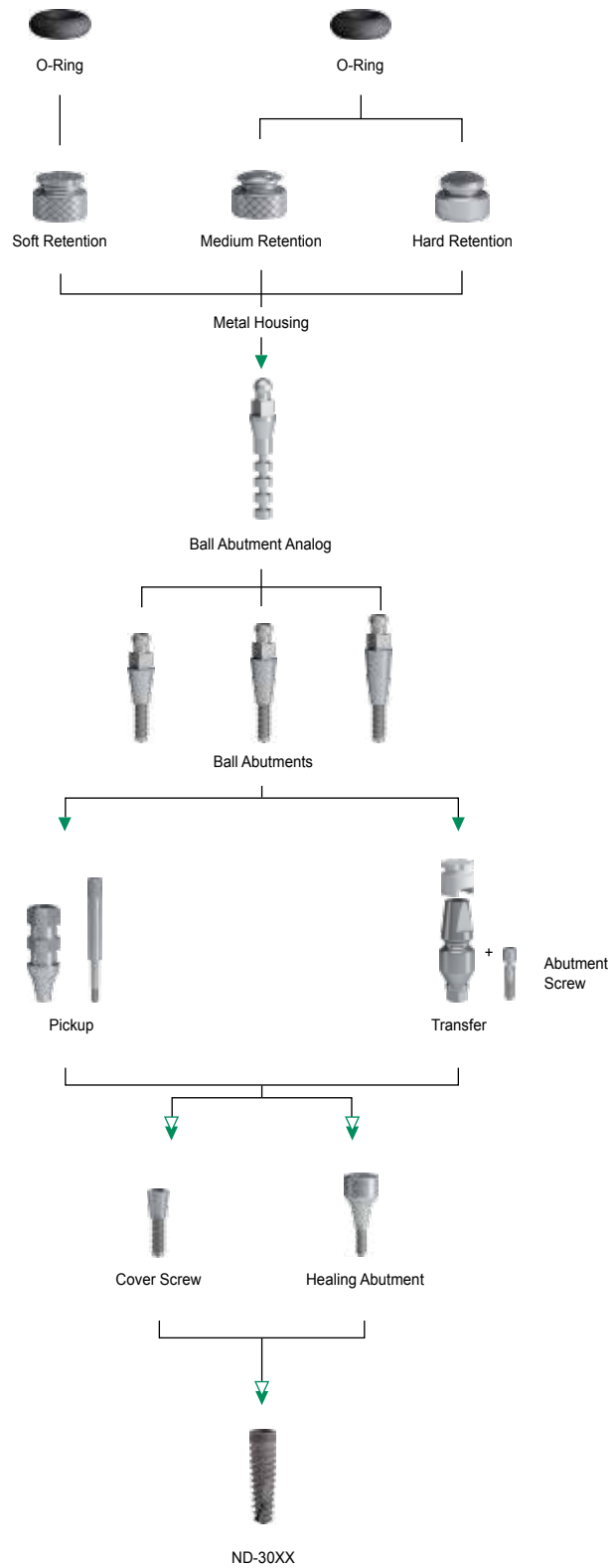
System Flowchart

Cement-Retained Restorations - **Cemented** Abutment
 Cement-Retained Restorations - **Angled** Abutment
 Screw-Retained Restorations - **Castable** Abutment



System Flowchart

Overdenture-Retained Restorations - **Ball** Abutment

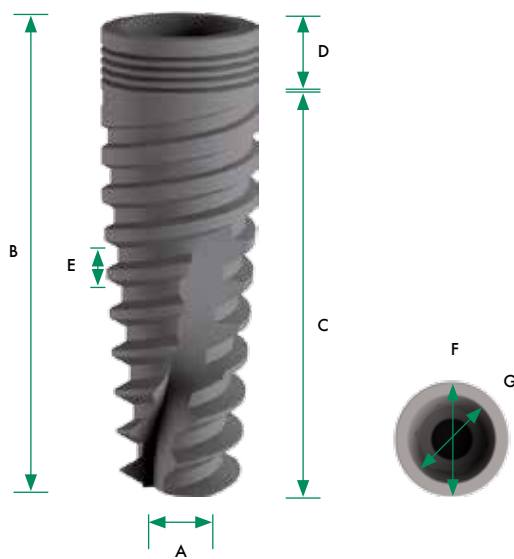


Fixture



L \ D	Ø 3.0
9	ND-3009
11	ND-3011
13	ND-3013

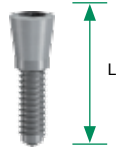
Fixture Dimensions



Fixture	Ø 3.0
A	2.3
B	9 / 11 / 13
C	7,6 / 9,6 / 11,6
D	1,4
E	1
F	3
G	2.3

Healing Abutments

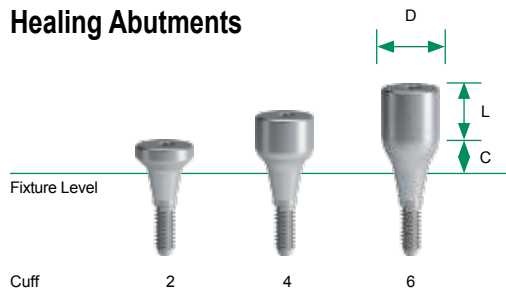
Headless Cover Screw



L	Ø 3
5,8	ND-3008

- Fits 1.25 prosthetic Hex Driver
- Tightening torque 10 Ncm

Healing Abutments

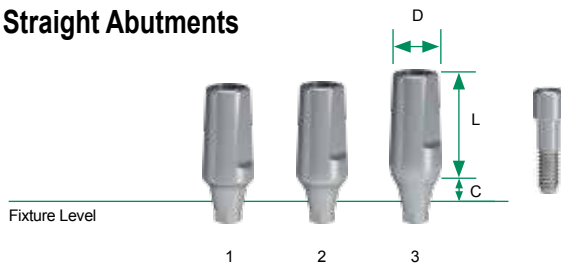


D	L	C	Fixture	Ø 3
3.8	0,7	2		ND-3022
	1	4		ND-3024
	1,5	6		ND-3026

- Tightening torque 15 Ncm

Restorative Products Titanium Abutments

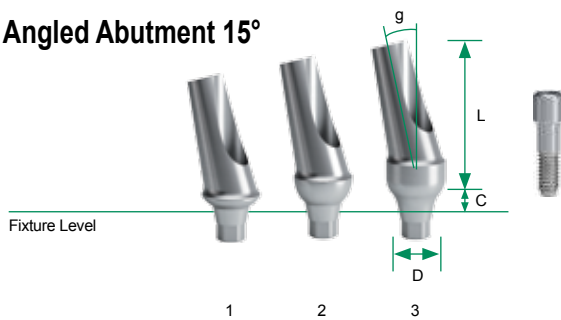
Straight Abutments



D	L	C	Fixture	Ø 3
3.8	5,6		1	ND-3025-1
			2	ND-3025-1
			3	ND-3025-1

- Material: Titanium grade 5
- Set includes: Abutment and screw
- Tightening torque: 20Ncm

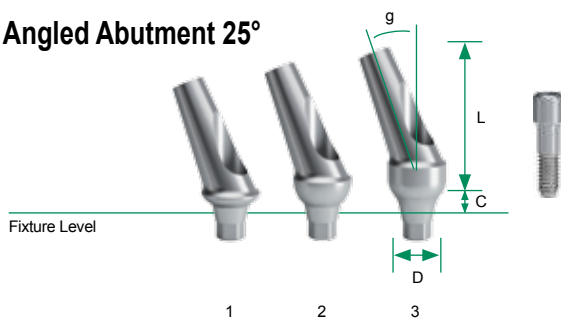
Angled Abutment 15°



D	L	C	Ø 3
3.8		1	ND-1530/1
3.8	10	2	ND-1530
3.8		3	ND-1530/3

- Material: Titanium grade 5
- Set includes: Abutment and screw
- Tightening torque: 20Ncm

Angled Abutment 25°



D	L	C	Ø 3
3.8		1	ND-2530/1
3.8	10	2	ND-2530/2
3.8	10	3	ND-2530/3

- Material: Titanium grade 5
- Set includes: Abutment and screw
- Tightening torque: 20Ncm

Castable Abutment

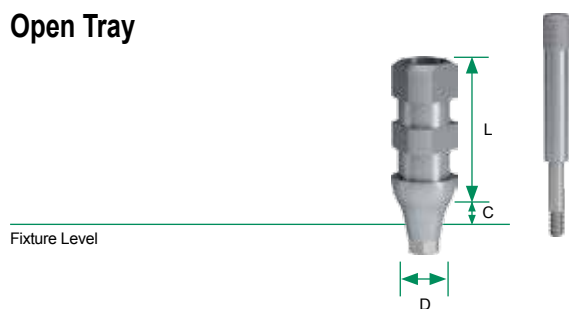


D	L	C	Ø 3
3.8	7,5	2	ND-5830

- Material: Base in titanium grade 5 and POM
- Set includes: Abutment and screw
- Tightening torque: 20Ncm

Restorative Products
 Impression Transfers

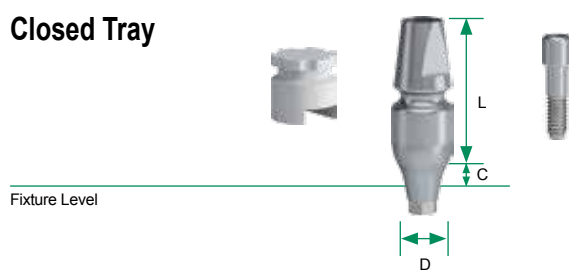
Open Tray



D	L	C	Ø 3
3.8	7,5	2	ND-3040

- Material: Titanium grade 5
- Set includes: Transfer and screw

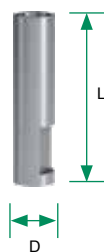
Closed Tray



D	L	C	Ø 3
3.8	11,5	2	ND-3040/2

- Material: Titanium grade 5, POM
- Set includes: Plastic cap, transfer and screw

Fixture Analog

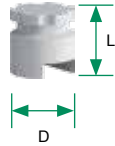


D	L	Ø 3
3.1	15	ND-3042

- Material: Titanium grade 5

Restorative Products Impression Transfers

Transfer Cap



D	L	Item#
4	5	BL-4543

- Material: POM

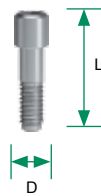
Impression Post Cap



D	L	Item#
2.4	20	ND-3041

- Material: Titanium grade 5

Prosthetic Screw

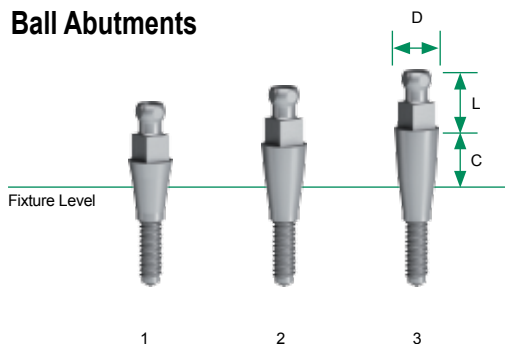


D	L	Item#
1.4	7,7	ND-5052HX

- Material: Titanium grade 5

Overdenture - Retained Restorations

Ball Abutments



D	L	C	Ø 3
3.8	3,77	1	ND-5641
	3,77	2	ND-5642
	3,77	3	ND-5643

- Set includes: Abutment, Housing and O-ring
- Material: Abutment and Housing in Titanium grade 5 and O-ring in FDA Buna
- Tightening torque: 25Ncm

Metal Housing



D	L	Item#
4.6	3,5	MCH-1
4.21	3,20	MCH-2
4	2,97	MCH-3

- Includes: Housing and O-ring
- Material: Housing in Titanium grade 5 and O-ring in FDA Buna

O-Ring

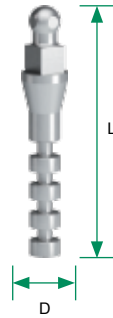


D	Item#
3.88	MC-3005
4.46	MC-3005B

- Package Contents: O-Ring (5 piece)
- Material: FDA Buna

Overdenture - Retained Restorations

Analog



D	L	Item#
2.6	15,8	MC-3007

- Material: Stainless Steel

Impression Cap



D	L	Item#
4.5	6,45	MC-3014

- Material: POM

Temp Cap

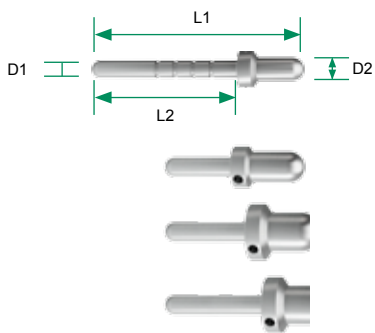


D	L	Item#
4.08	7	MC-3013

- Material: POM

Surgical Instruments

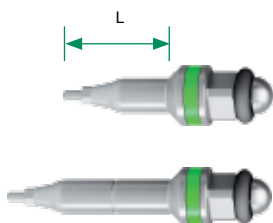
Parallel Pins



L1	L2	D1	D2	Item#
23,5	16,5	1,9	2,5	CT-PIN1
14	7,0	1,9	1,3	CT-PIN2
14	7	1,9	3,8	CT-PIN3
14	7	1,9	4,6	CT-PIN4

- Material: Material: Stainless steel
- Hole for retaining floss

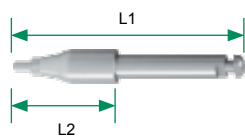
Implant Ratchet Drivers



L	Item#
9,85	ND-E7001
17,75	ND-E7001L

- Material: Stainless steel and FDA Buna

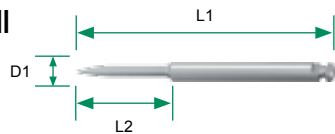
Implant Drivers



L1	L2	Item#
27,2	10,2	ND-E9040

- Material: Stainless steel

Locator Drill

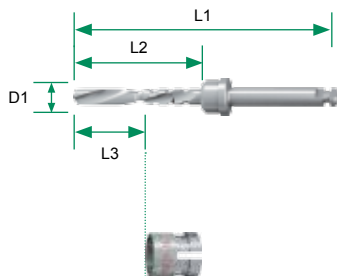


L1	L2	D	Item#
29	15	0,76	CT-2020

- Material: Stainless steel

Surgical Instruments

Initial Drill



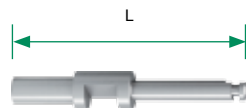
D	2,1
L1	35,2
L2	17,2
Item#	CT-1720

- Material: Stainless steel
- Usage: 30 Patient/Sterilizations

L3	Drille Stopper
9	CT-STOP07
11	CT-STOP08
13	CT-STOP09

- Material: Stainless steel

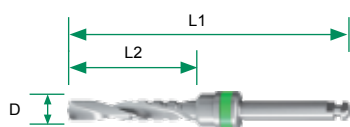
Drill Extender



L	Item#
25	CT-2000

- Material: Stainless steel

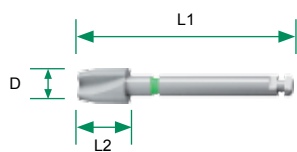
Main Drills



D	2,6
L1	36,7
L2	17,2
Item#	ND-1726E

- Material: Stainless steel
- Usage: 30 Patient/Sterilizations

Counter bore

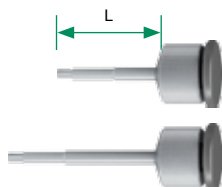


D	3
L1	26
L2	6
Item#	ND-1730

- Material: Stainless steel
- Usage: 30 Patient/Sterilizations

Surgical Instruments

Prosthetic Swivel Finger Driver



L	Item#
12,5	CT-9025S
18,5	CT-9025

- Material: Stainless Steel and PEEK

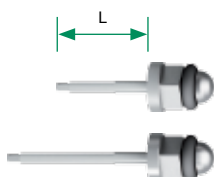
Prosthetic Latch Driver



L	Item#
26,5	CT-9019

- Material: Stainless steel

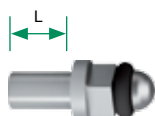
Prosthetic Ratchet Driver



L	Item#
12,5	CT-8051
18,5	CT-8052

- Material: Stainless steel and FDA Buna

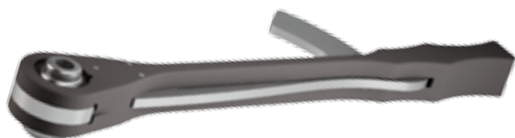
O-ball Adaptor



L	Item#
10,3	MC-3003M

- Material: Stainless steel and FDA Buna

Torque Wrench



Variable	Item#
to 50Ncm	CT-8010PEEK

- Material: Stainless steel and PEEK

C-TECH
CENTURY IMPLANT TECHNOLOGIES

Via Santa Margherita al Colle n. 18 - 40136, Bologna - ITALY
Tel. +39 051 6661817 - Fax +39 051 6667071
www.c-tech-implant.com - info@c-tech-implant.com